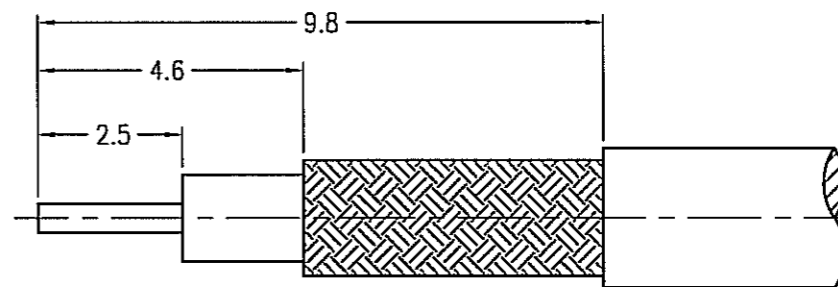


NOTES:

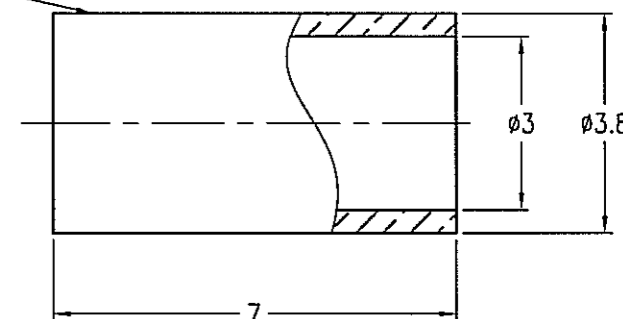
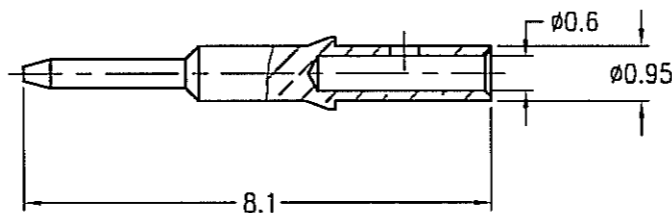
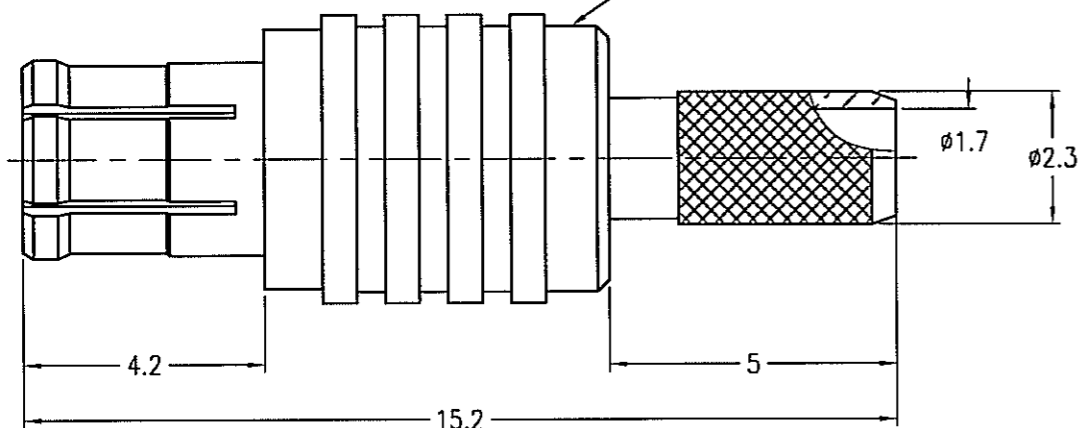
- MATERIALS AND FINISHES(PLATING THICKNESS IN MICRO-INCHES):
 BODY - BERYLLIUM COPPER, WHITE BRONZE PLATING (COPPER -TIN -ZINC)
 CONTACT - BERYLLIUM COPPER, GOLD PLATING
 INSULATOR - TEFLON
 FERRULE - COPPER, WHITE BRONZE PLATING (COPPER -TIN -ZINC)
- ELECTRICAL:
 A. IMPEDANCE: 50 OHM
 B. FREQUENCY RANGE: DC 0-6 GHz
 C. VSWR(RETURN LOSS): 1.3 MAX.
 D. DIELECTRIC WITHSTANDING VOLTAGE: 1000 VRMS, MIN.
- MECHANICAL:
 A. DURABILITY: 500 CYCLES MIN.
 B. TEMPERATURE RANGE: - 40°C to +155°C
- CRIMPED FERRULE
 HEX CRIMP SIZE .128"
 CRIMPED CONTACT PIN
 SQ CRIMP SIZE 0.7(mm)
 OR SOLDER

919-NM101P-51S		REVISIONS			
PART NO.	REV	DESCRIPTION	DATE	ECO	APPR
THIRD ANGLE PROJ.	A	RELEASE TO MFG.	8/8/06	46108	CISSY



RECOMMENDED
CABLE STRIPPING DIM'S

THESE SURFACES MARKED "NM"
TO SIGNIFY NON-MAGNETIC CONNECTORS



CUSTOMER OUTLINE DRAWING

ALL OTHER SHEETS ARE FOR INTERNAL USE ONLY

UNLESS OTHERWISE SPECIFIED, DIMENSIONS ARE IN METRIC AND TOLERANCES ARE:
 0.5 - 5mm ±0.1mm 6 - 30mm ±0.2mm 30 - 120mm ± 0.3mm ANGLES ±1°

NOTICE - These drawings, specifications, or other data (1) are, and remain the property of Amphenol Corp. (2) must be returned upon request; and (3) are confidential and not to be disclosed to any person other than those to whom they are given by Amphenol Corp. The furnishing of these drawings, specifications, or other data by Amphenol Corp., or to any other person to anyone for any purpose is not to be regarded by implication or otherwise in any manner licensing, granting rights or permitting such holder or any other person to manufacture, use or sell any product, process or design, patented or otherwise, that may in any way be related to or disclosed by said drawings, specifications, or other data.

MATERIAL	
REFERENCE	MCX1121A1-NT30G-316U-50
FINISH	

DRAWN	CISSY	DATE	08-Aug-06
ENGINEER	GEFFERY	DATE	08-Aug-06
APPROVED	<i>[Signature]</i>	DATE	8-8-06
CAD FILE			

TITLE		
MCX CRIMP PLUG NON MAGNETIC (FOR RG-174/U,188A/U,316/U)		
SCALE: 6/1	SHEET	1 OF 1
DWG SIZE	CODE ID	REV
B	74868	A

Amphenol RF	
Danbury CT USA, Tainan Taiwan, Shenzhen China www.amphenolrf.com	
DRAWING NO.	
ITEM NO.	
PART NO.	919-NM101P-51S